

MISSION CONTROL LAUNCH LINKS



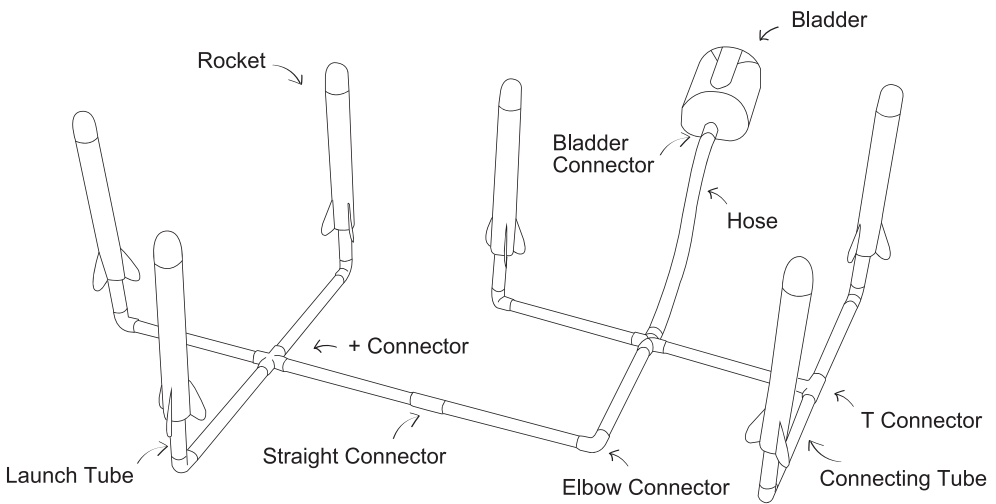
User Manual

**Read this entire manual before using the product.
For assistance, please contact Radio Road at
www.radioroadtoys.com
DO NOT RETURN TO STORE**

Ages 8+

We make every effort to present the most current specifications and product features when printing this manual. As a result of our continual improvement, changes may be made to equipment, specifications and features without notice.

PARTS



SAFETY

WARNING

Be sure to read and follow the instructions before using the product.

1. CHOKING HAZARD – SMALL PARTS. This product is intended for users ages 8 and up.
2. Adult supervision is required.
3. Obey all local laws and regulations.
4. Watch out for others nearby when shooting.
5. Replace worn or broken parts immediately.
6. Do not aim at people or animals.
7. Do not aim at a person's eyes or face.
8. Clear the launch area of all obstacles and debris before launching.
9. Do not modify any parts.
10. Be aware of your surroundings when observing launched rockets.

REPLACEABLE PARTS

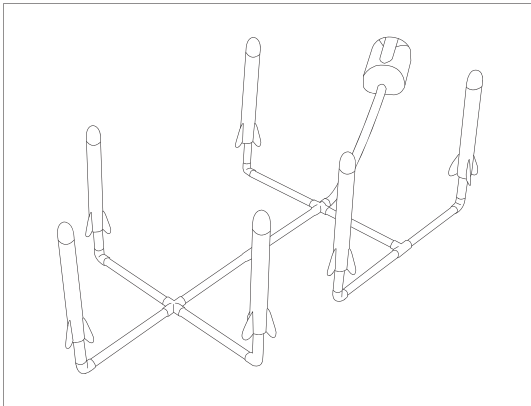
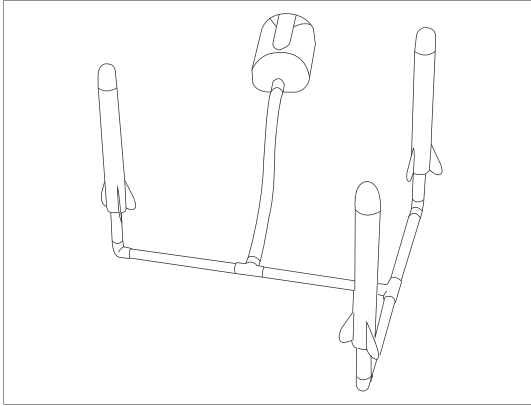
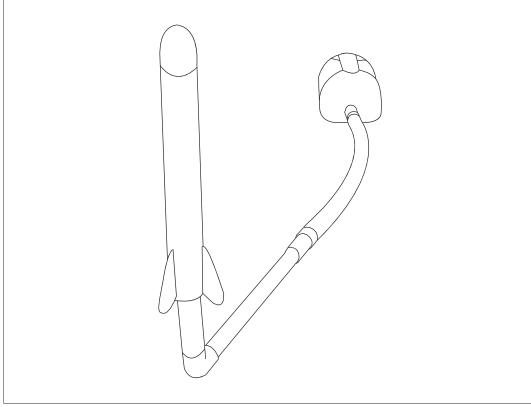
PART#	DESCRIPTION	QUANTITY
MCLL6001-STR	Straight Connector	3
MCLL6001-PLS	+ Connector	3
MCLL6001-TEE	T Connector	3
MCLL6001-ELB	Elbow Connector	8
MCLL6001-BCN	Bladder Connector	1
MCLL6001-TB	Connecting Tube	10
MCLL6001-LTB	Launch Tube	6
MCLL6001-RKT	Rocket	7
MCLL6001-HS	Hose	1
MCLL6001-BDR	Bladder	1

ASSEMBLY TIPS

With the included parts, possibilities and configurations are endless! Simply choose the number of rockets you would like to launch, grab that amount of Launch Tubes, and connect them however you'd like to the bladder. Follow the tips and recommended setups below for maximum enjoyment!

- Make sure that all the tubes and connectors are secured together tightly to prevent air from escaping. Press Connecting and Launch Tubes into connectors as far as you can!
- Not all pieces need to be used to launch the rockets (You can shoot between 1 and 6 rockets simultaneously).
- Experiment with different setups to maximize the height and distance of launched rockets. For example, attaching the Straight Connector and a Connecting Tube to the hose will help to maximize airflow for shooting 4+ rockets.
- Not all configurations will work perfectly on the first try. Keep building or adjusting the tube and connector configurations until the desired output is achieved.
- Try combining setups with your friends and build the ultimate launch site!

EXAMPLE CONFIGURATIONS



WARRANTY



DO NOT RETURN TO STORE

Failure to follow these instructions may damage your product and void your warranty.



Radio Road Limited Warranty:

Radio Road warrants that this product shall be free from defects in workmanship for one year from the day of purchase. If the product is defective, Radio Road's sole obligation under this warranty shall be at its election, subject to the terms of this warranty, to repair or replace any parts deemed defective. This warranty is for the exclusive benefit of the original purchaser and is not assignable or transferable. THIS WARRANTY IS MADE IN LIEU OF ALL OTHER WARRANTIES, EXPRESSED OR IMPLIED, AND ANY IMPLIED WARRANTIES, INCLUDING THE IMPLIED WARRANTIES OF MERCHANTABILITY AND FITNESS FOR A PARTICULAR PURPOSE, ARE LIMITED TO THE TERMS OF THIS WARRANTY, UNLESS OTHERWISE PROHIBITED BY LAW.

Exclusions

To the fullest extent permitted by law, Radio Road expressly disclaims and excludes from this warranty any liability for damages, including but not limited to general, special, indirect, incidental, consequential, aggravated, punitive or exemplary damages, and economic loss (even if Radio Road is informed of their possibility), third party claims against you, including for any loss or damages, and claims or damages related to loss of, or, damage to, your records or data. This warranty does not apply to any product the exterior of which has been damaged or defaced. This warranty will be voided by misuse, improper physical environment, improper repair, acts of God, war or terror, commercial use, and improper service, operation or handling.

Return Merchandise for Service

Any claim under this warranty must be made in writing to Radio Road, at the address provided by our technician, within 30 days after the owner discovers the circumstances giving rise to any such claim, and must include a copy of this warranty document, a receipt or copy of your invoice marked with the date of purchase and the original packaging. You may obtain service by calling the technician for a Return Merchandise Authorization (RMA) number. The RMA number must be prominently displayed on the outside of the shipping carton and the package must be mailed to Radio Road postage prepaid.

Radio Road
4720 Radio Road
Naples, Florida 34104
877-818-4221
www.radioroadtoys.com